



panels machined for the body

solutions overmeasure
for the carriage-builders



IPM MONDIA
creator of solutions



machined panels

Custom-made manufacture individually or in series of **isolated sandwich panels** with aluminum or polyester for commercial and utility vehicles :

- panels made upon request
- individual kits
- cells "State Finished On the Ground" (EFAS)

coating

adhesive film

core - insulating

adhesive film

coating



research & quality

- **Integrated research department**
CAD - CAM
- **Quality control** ISO 9001 version 2000



manufacture

- superposition and joining of **various materials**
- **optional inserts** : screws and bolts, electric cabling



integrated BE



insulation installation



joining



hydraulic hot press

machining

- cut out
- tapping
- milling
- finishing (*carries, oculus*)



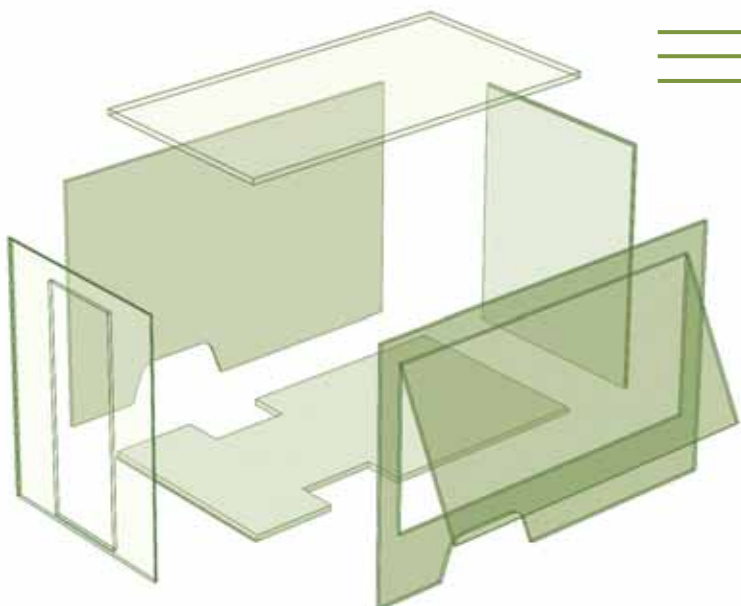
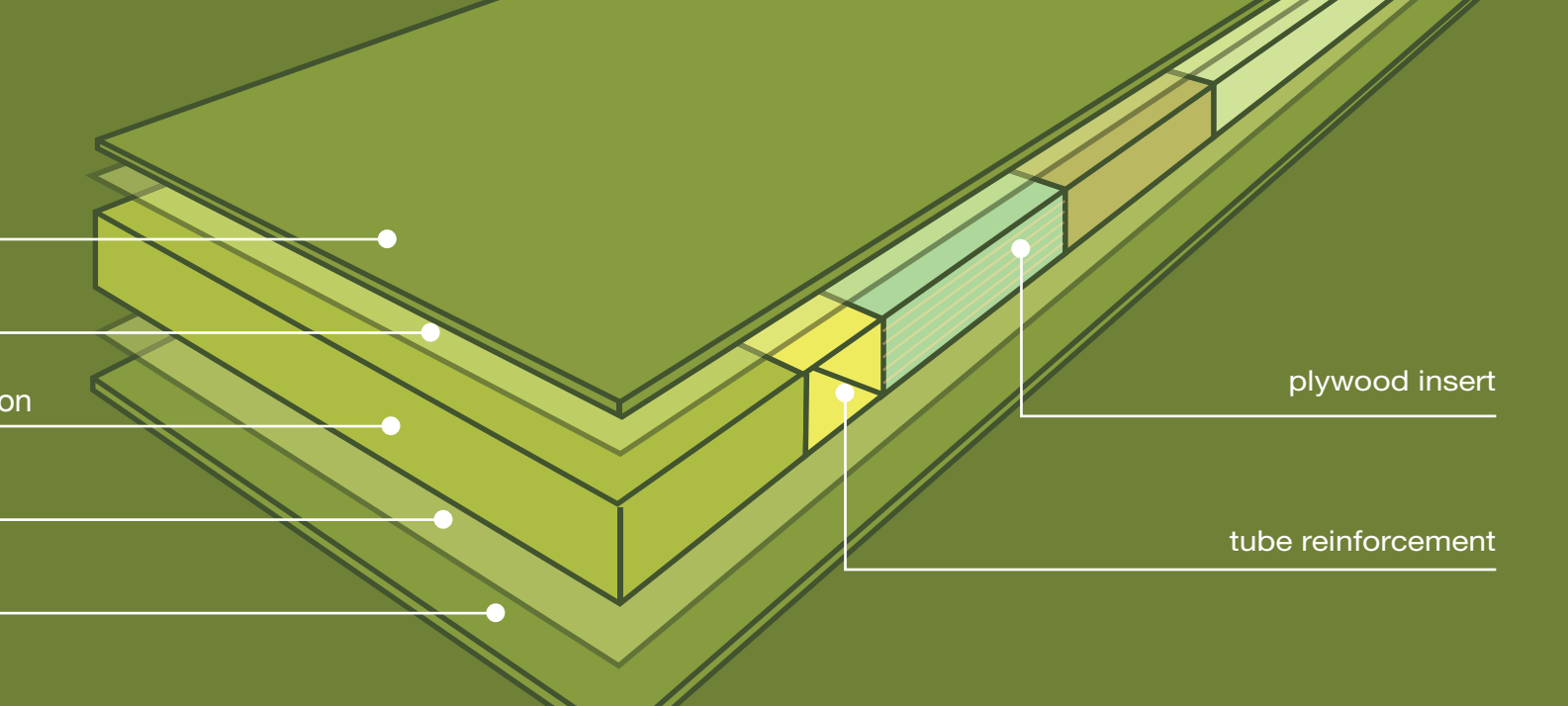
large production center

applications

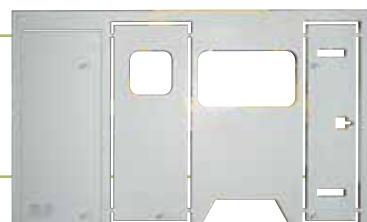
all utility or leisure vehicles :

- **mobile businesses and workshops**
- **firemen and army command centers**
- **ambulance or medical teams**
- **horse vans**
- **motor homes**





machined panels



individual kits

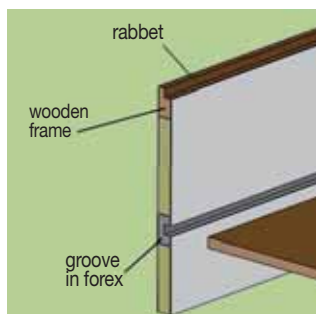
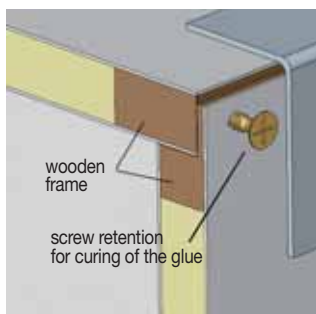
composition : complete kits, shoed and joined composed of panels of 30 mm, delivered with angles of completion

- assets :**
- bonded assembly
(cartridge of adhesive provided)
 - esthetically pleasing and light
 - adapted to the 3T5s and heavy trucks
 - fast and easy to assemble
(thanks to rabbets of assembly)

cells EFAS

composition : cell with self-supporting floor, ready to install on your frame

assets : speed, quality, profitability of an end product



mobile businesses



ambulance



horse van



firemen



www.ipm-mondia.com

Route de Fleurville - 01190 PONT-DE-VAUX
Tél. +33 (0) 385 368 020 - Fax. +33 (0) 385 368 025
e-mail : contact@ipm-mondia.com